



User's Manual

SUN-FOSC-ZT902 Series

Fiber Optic Splice Closure

English

Table: SUN-UM-CM-FOSC024

Version: A/0

*All the trademarks mentioned in this manual are registered property of Sun Telecom.
The right to interpret this manual is reserved by Sun Telecom*

1. Scope of application

This Installation manual is suit for fiber optic splice closure, (Hereafter abbreviated as FOSC), as the guidance of proper installation. The scope of application is: aerial, underground, pipeline, hand hole. The ambient temperature is from -40°C to $+65^{\circ}\text{C}$.

2. Applicable temperature

- $-1\sim+45^{\circ}\text{C}$ (Temperature for operation)
- $-50\sim+70^{\circ}\text{C}$ (Temperature for storage and transportation)
- $-40\sim+65^{\circ}\text{C}$ (The ambient temperature ranges)

3. Stripping fiber cable

when branch cable stripping, should put the length of the fiber optic cable skin peeled off as about 1200 mm, Reserve reinforced core in 40 mm length and cut off the unnecessary ones. See figure 1

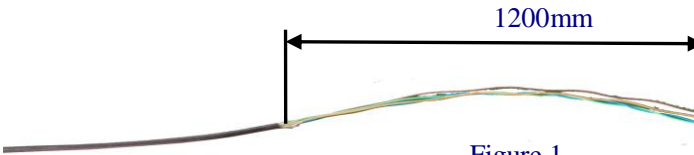


Figure 1

4. Fixing fiber cable

4.1 Fixed cable and reinforced core according to the picture below. See figure 2

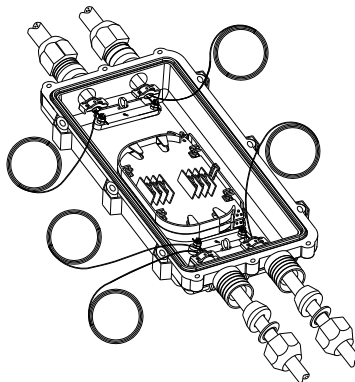


Figure 2

4.2 Splice fibers, install heat shrinkable protective sleeve

See figure 3 follow user manual of fusion splicing machine to splice fiber cores. When having completed splicing the fibers, the first fiber ring should be housed on the farthest side of FOST, the remaining fiber should be winded, forming a ring with diameter not less than 80mm. then put it into FOST (Fiber Optic Splice Tray).together with heat shrinkable sleeve for splice protection.

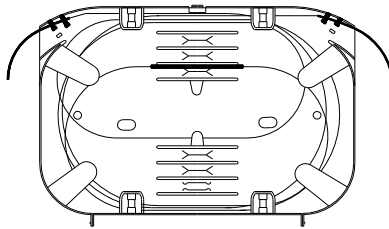


Figure 3

4.3 Check up comprehensively

To ensure the technical requirements, the following instructions must be followed:

- The fibers in the FOST are spliced and installed orderly.
- The curved diameter of fiber meets with the technical requirements.
- The internal tighteners are tightened.
- The inlet/outlet ports without fiber cables must be blocked up with the port plugs.
- Seal the cover of seal fitting. See figure 4

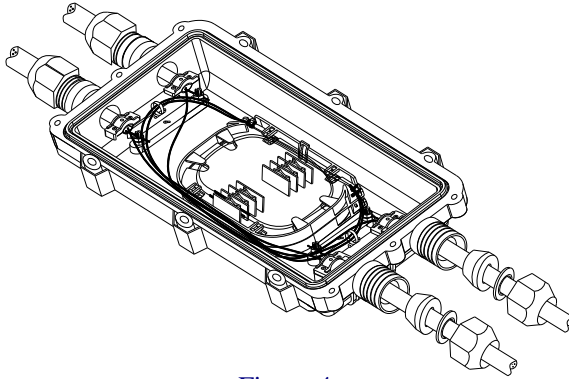


Figure 4

5. Assemble FOSC housing

5.1 Put the FOSC cover on the FOSC bottom directly.

5.2 Insert two pieces of locating bolt of FOSC and tighten it with the special wrench, then the rest six pieces of fixing bolts.

5.3 After finishing the above operation, tighten the plastic nut.

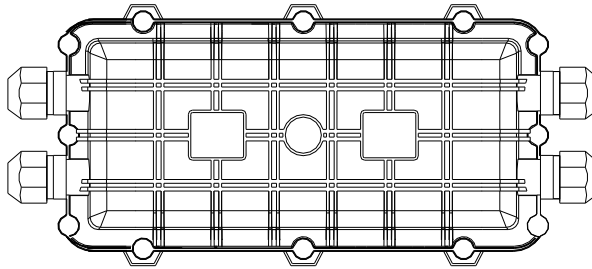


Figure 5

SHANGHAI SUN TELECOMMUNICATION CO., LTD.

Building No.145 Lane 666, Xianing Rd.
Jinshan Industrial Zone, Jinshan District
ShangHai, China 201506

Tel: +86 21 60138638 Fax: +86 21 60138635-401

E-mail: ics@suntelecom.cn

<http://www.suntelecom.cn/>

